

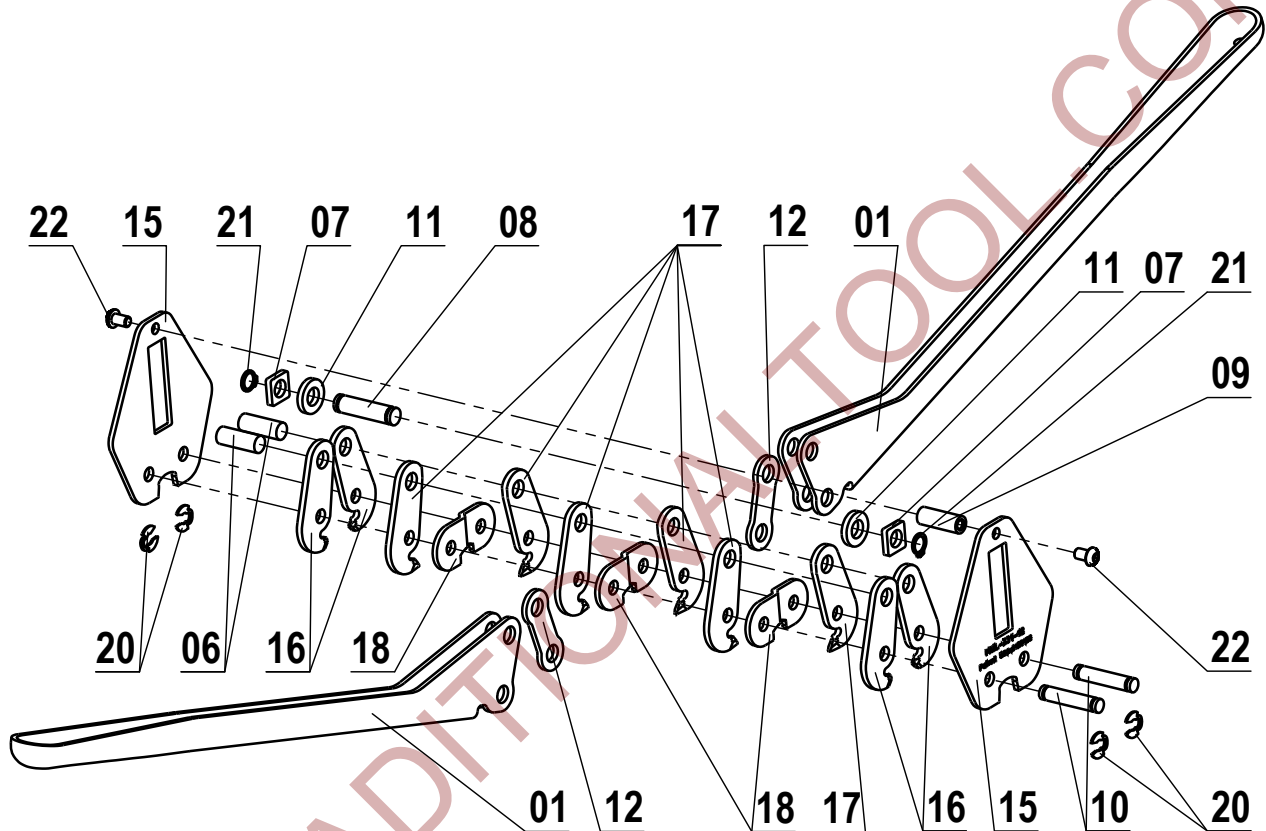
MUL-331

Heavy Duty

1/2" PET Sealer



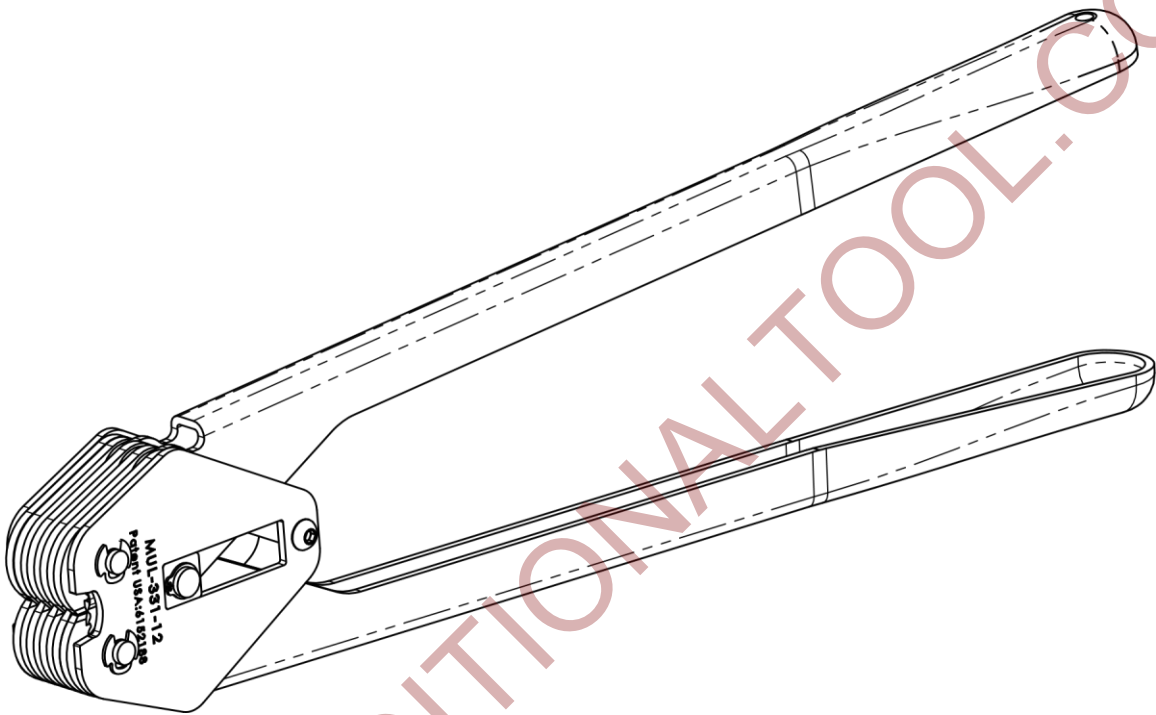
FOR PET/PP STRAP WITH ORP 2300 OR EQUIVALENT SEALS



No	KEYNo	DESCRIPTION	QTY
01	331-01	HANDLE	2
06	331-06	JAW PIN	2
07	331-07	SLIDE PLATE	2
08	331-08	SLIDE PIN	1
09	331-09	SPACER PIN	1
10	331-10	ANVIL PIN	2
11	331-11	WASHER	2
12	331-12	ARM	2
15	331-15	SIDE PLATE	2
16	331-16	OUTER JAW	4
17	331-17	INNER JAW	6
18	331-18	ANVIL	3
20	331-20	KLIPRING	4
21	331-21	RETAINING RING	2
22	331-22	SCREW M6x10	2

MUL-331 Sealer for POLYESTER

Operation Manual



Strap Type	Polyester (PET)
Strap Width	1/2" (13 mm)
Strap Thickness	Up to 0.040" (1 mm)
Joint Type	Seal
Weight	4.5 lbs (2 kg)
Handle Length	17.5"

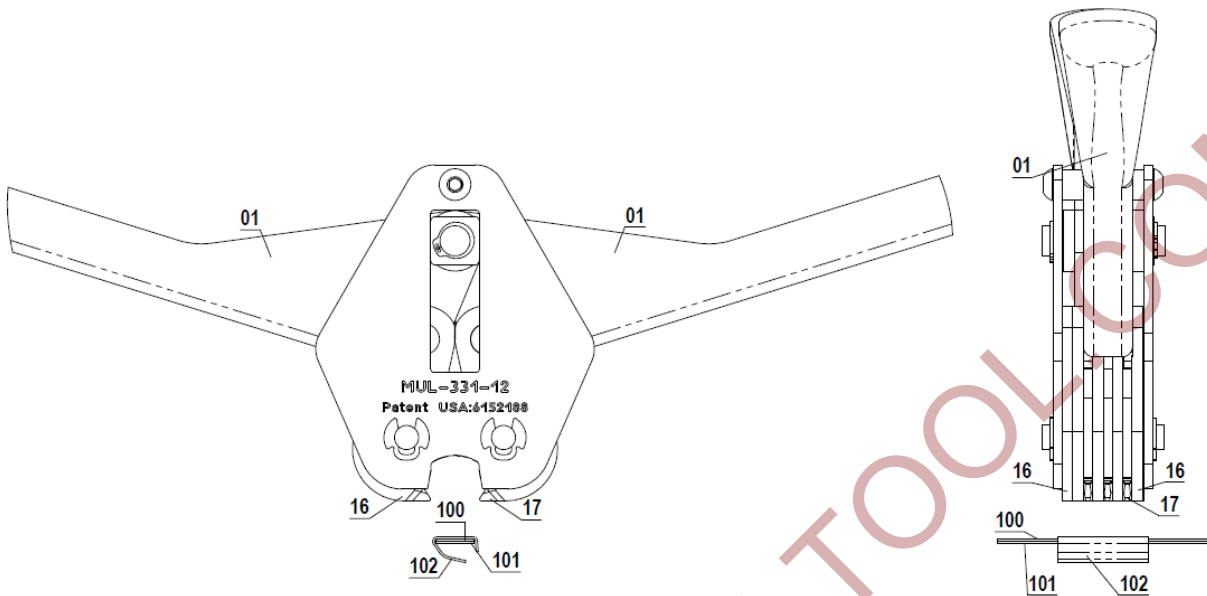


Fig. 1 – Starting Position

1. Place the **Outer Jaws 16** and **Inner Jaws 17** of the tool across the middle of the **Seal 102** as shown on Fig. 2.

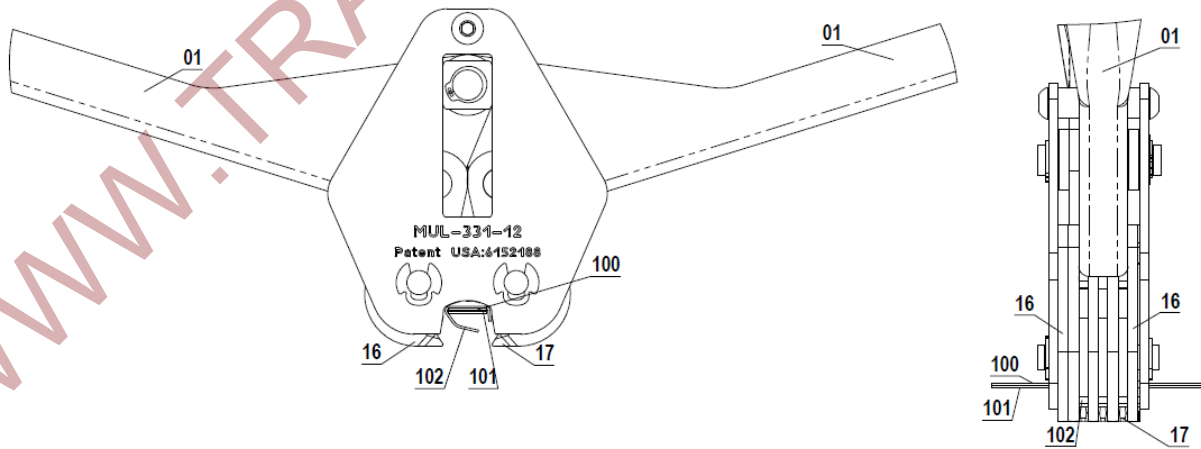


Fig. 2

2. Keeping the sealer in vertical position, press the **Handles 01** together till they cannot be squeezed no further as shown on Fig. 3.

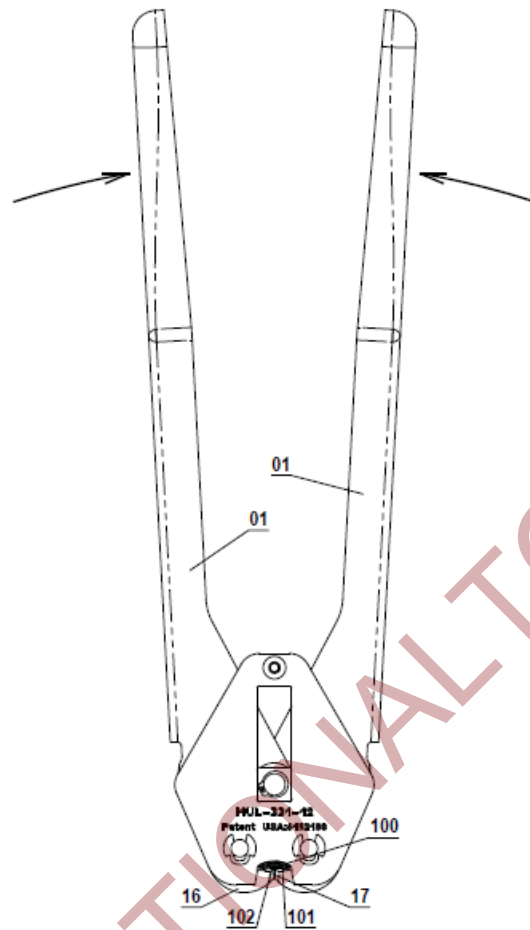


Fig. 3

3. Unclench the **Handles 01** and remove the sealer from the **seal 102** as shown on Fig. 4. Operation cycle is now complete.

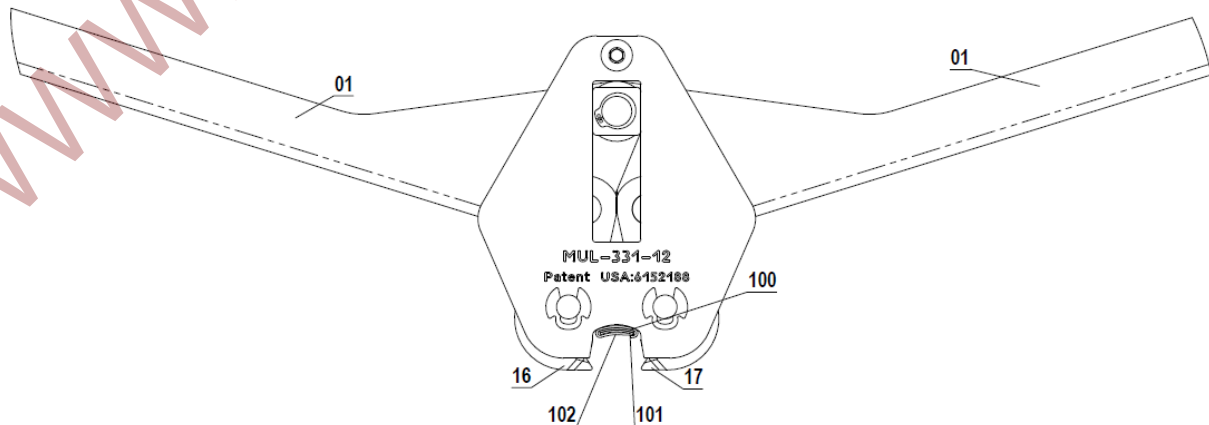


Fig. 4