

**FROMM**

OPERATION MANUAL / SPARE PARTS LIST

**MANUAL SEALLESS  
STEEL STRAPPING TOOL**

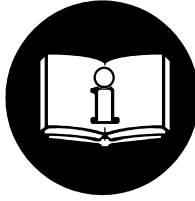
**MODEL A333**

13.2390.01

	<b>INDEX</b>	<b>PAGE</b>
1	<b>SAFETY INSTRUCTIONS</b>	<b>2</b>
2	<b>WARRANTY CONDITIONS AND LIABILITY</b>	<b>3</b>
3	<b>APPROPRIATE USE</b>	<b>3</b>
4	<b>TECNICAL DATA</b>	<b>3</b>
5	<b>CHART OF TYPES A333</b>	<b>4</b>
6	<b>OPERATION</b>	<b>4</b>
7	<b>SPARE PARTS LIST 13.2390.01</b>	<b>8</b>
8	<b>SEAL CONTROL</b>	<b>10</b>
9	<b>SEAL ADJUSTMENT</b>	<b>11</b>
10	<b>CLEANING</b>	<b>11</b>
11	<b>ACCESSORIES</b>	<b>12</b>

# 1 SAFETY INSTRUCTIONS

Read these instructions carefully. Failure to follow these instructions can result in severe personal injury.



## Eye injury hazard

Failure to wear safety glasses with side shields can result in severe eye injury or blindness. Always wear safety glasses with side shields which conform to ANSI Standard Z87.1.



## Operation

Tool must not be used by persons not properly trained in their use. Before tensioning strap, read and understand the tool operating instructions. Failure to follow the operating instructions or improper load positioning could result in strap breakage.

Become familiar with your tool and keep fingers away from areas that can pinch or cut.

## Joints

You are fully responsible to review the joints made by your tool. Become familiar with the seal control and seal adjustment described in this operation manual. Misformed joints may not secure the load and could cause serious injury. Never handle or ship any load with improperly formed joints.

## Dispensing strap

Only dispense strap from a dispenser specifically designed for strap.

Tuck strap end back into dispenser when not in use.

## Protective gloves

When handling strap, always wear protective gloves.



## Strap warnings

Never use strap as a means of pulling or lifting loads. Failure to follow these warnings can result in severe personal injury.

## Strap breakage hazard

Improper operation of the tool, excessive tensioning, using strap not recommended for this tool or sharp corners on the load can result in a sudden loss of strap tension or in strap breakage during tensioning, which could result in the following:

- A sudden loss of balance causing you to fall.
- Both tool and strap flying violently towards your face.

Note as follows:

- If the load corners are sharp, use edge protectors.
- Place the strap correctly around a properly positioned load.
- Positioning yourself in-line with the strap, during tensioning and sealing, can result in severe personal injury from flying strap or tool. When tensioning or sealing, position yourself to one side of the strap and keep all bystanders away.
- Use the correct strap quality, strap width, strap gauge and strap tensile strength recommended in this manual for your tool. Using strap not recommended for this tool can result in strap breakage during tensioning.

## Fall hazard

Keep your working area tidy. Untidiness of your working area may cause a risk of injury. Maintaining improper footing and/or balance when operating the tool can cause you to fall. Before tensioning and especially in elevated areas, always establish good balance. Both feet should be securely placed on a flat, solid surface, especially when working in elevated areas. Do not use the tool when you are in an awkward position.

Pay attention to the rules and regulations for preventions of accident which are valid for the work place.

## Tool hazards

A well maintained tool is a safe tool!

Check tool regularly for broken or worn parts. Do not operate a tool with broken or worn parts.

Never modify any tool. Modification can result in severe bodily injury.

---

## 2 WARRANTY CONDITIONS AND LIABILITY

FROMM Holding AG warrants all its strapping tools and machine heads during a period of 24 months from the date of installation at the end-user's sight by the distributor, however, not later than 30 months from the date of shipment to the distributor of FROMM Holding AG.

The warranty includes all deficiencies clearly resulting from poor manufacturing or faulty materials. Damage claims as a result of production shutdowns and claims for damage to persons and to property resulting from warranty deficiencies cannot be asserted by the customer.

The warranty excludes:

- wearing parts
- deficiencies resulting from improper installing, incorrect handling and maintaining the tool
- deficiencies resulting from using the tool without or with defective security- and safety devices
- disregard of directions in the operation manual
- arbitrary modifications of the tool
- deficient control of wearing parts
- deficient repair works of the tool
- Use of consumable products not recommended by FROMM Holding AG

We reserve the right to modify the product at any time in order to improve its quality.

## 3 APPROPRIATE USE

The tool model A333 has been designed to strap packages with steel strapping exclusively.

The warranty / liability excludes:

- non appropriate use of the tool,
- disregard of directions in the operation manual,
- disregard of control- and maintenance instructions.

## 4 TECHNICAL DATA

### Dimensions

	Tool	Package
Length:	387 mm / 15.2"	410 mm / 16.1"
Width:	162 mm / 6.4"	360 mm / 14.2"
Height:	308 mm / 12.1"	170 mm / 6.7"
Weight:	3.9 kg / 8.6 lbs	1.2 kg / 2.7 lbs

### Joint strength

Approx. 80% of the strap's tensile strength.

### Steel strapping

Width:	12.7 - 20 mm (see chart of types)
Thickness:	0.38 - 0.58 mm
Quality:	Fundamentally the A333 allows the use of all current steel straps with tensile strengths ranging from 700 to 850 N/mm <sup>2</sup> Straps with a low breaking elongation are unsuitable.

## 5 CHART OF TYPES A333

Item No.	Model	Strap width	Strap thickness
13.2370	A333/12.7/0.38-0.58	12.7 mm / 1/2"	0.38 - 0.58 mm / 0.015 - 0.023"
13.2380	A333/13/0.38-0.58	13.0 mm	0.38 - 0.58 mm / 0.015 - 0.023"
13.2390	A333/16/0.38-0.58	16.0 mm / 5/8"	0.38 - 0.58 mm / 0.015 - 0.023"
13.2410	A333/19/0.38-0.58	19.0 mm / 3/4"	0.38 - 0.58 mm / 0.015 - 0.023"
13.2420	A333/20/0.38-0.58	20.0 mm	0.38 - 0.58 mm / 0.015 - 0.023"

## 6 OPERATION

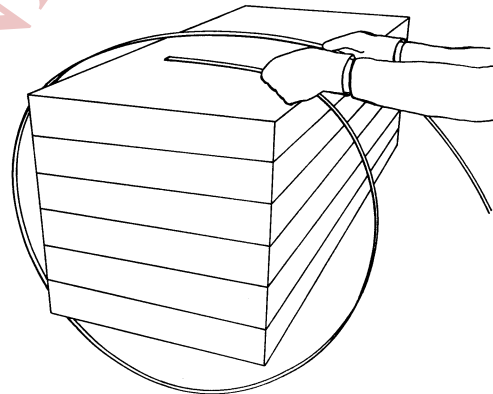


When handling strap, always wear protective gloves and safety glasses with side shields which conform to ANSI Standard Z87.1.



### Feeding the strapping around the package

The strapping is fed around the package in the direction as shown in the illustration. The strapping end is held tightly with the left hand and pulled firmly towards the operator with the right hand.

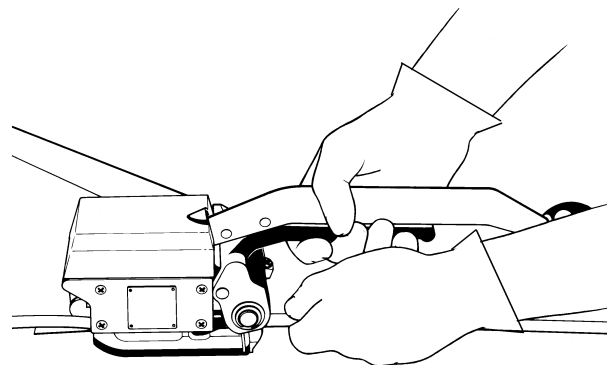


### Loading the strapping

The rocker is raised with the right hand. The left hand inserts the two straps lying precisely upon another into the tool until they hit the strap stops.

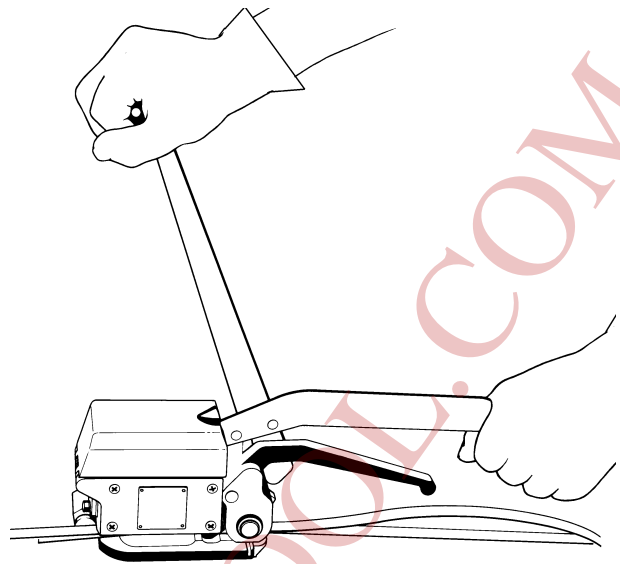
The lower strap end must slightly protrude the end of the base plate.

Be certain that the strapping is held by the strap guide.



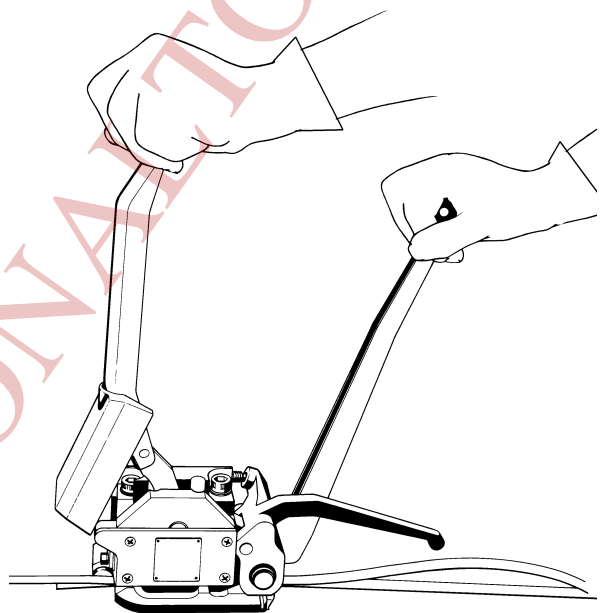
## Tensioning the strapping

The tool is held tightly with the left hand being placed on the sealing lever. The tensioning handle is now moved forward and backward with the right hand until the desired tension is attained.



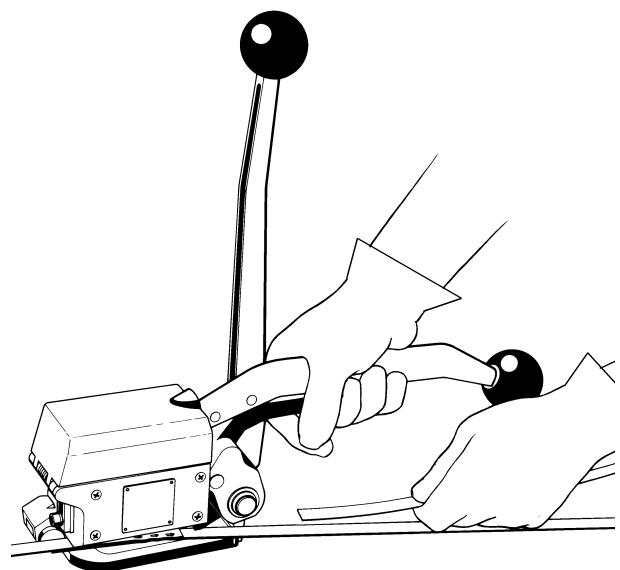
## Sealing the strapping

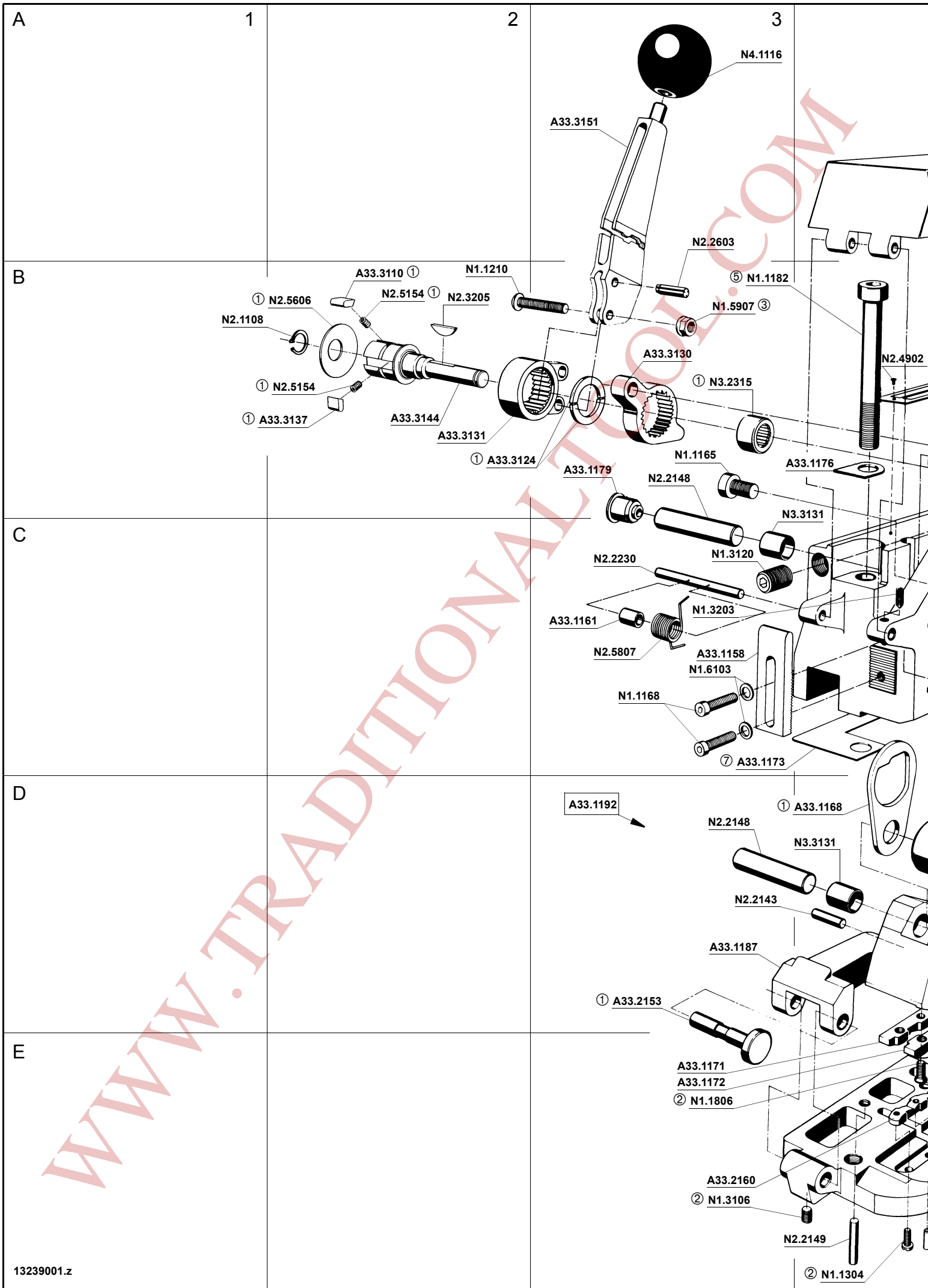
The sealing lever is moved forward using the left hand until it hits the stop. The lever is then moved back to its initial position. When sealing, the right hand absorbs the sealing force by holding the tensioning handle.



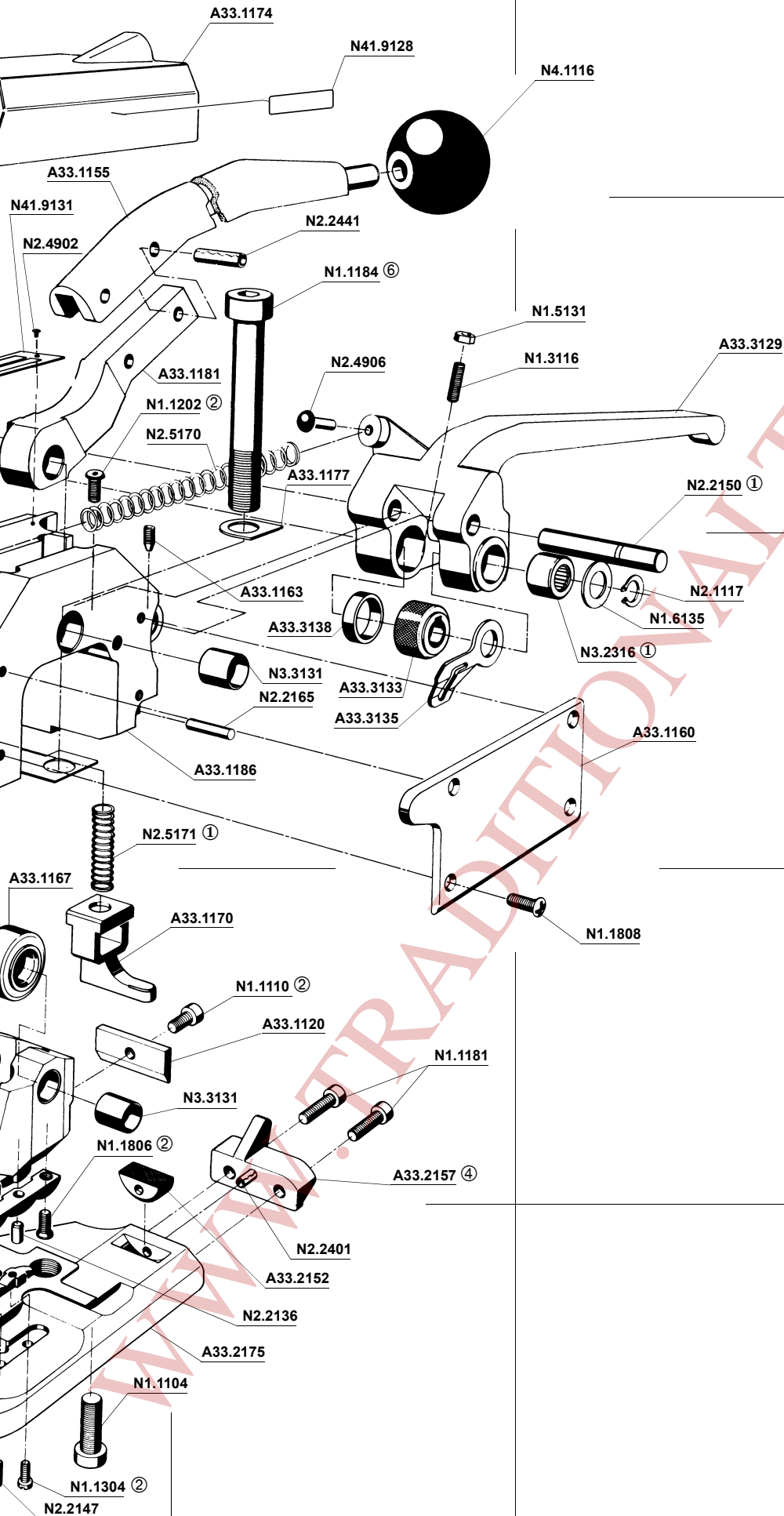
## Releasing the tool

Hold the cut off strap end with the left hand, lift the rocker with the right hand and push the tool from the applied strap to the right.





13239001.z



- ① Mobilux EP2
- ② Loctite 222
- ③ Loctite 243
- ④ Loctite 638
- ⑤ 42 Nm
- ⑥ 85 Nm
- ⑦ Compensation

## 7 SPARE PARTS LIST 13.2390.01

13.2390.01	A333/16/0.38-0.58		A333.0007.01		29.11.99	
Item-No.		in group	Pcs.	Description	Dimension	Field
A33.1120	*		1	SHEAR BLADE		D5
A33.1155			1	SEALING HANDLE		A4
A33.1158			1	STOP		C3
A33.1160			1	COVER		C6
A33.1161			1	BUSH		C3
A33.1163			1	SOCKET SET SCREW		C5
A33.1167		A33.1192	1	ROLLER		D4
A33.1168		A33.1192	1	LINK		D4
A33.1170			1	EJECTOR		D5
A33.1171	*		1	DIE HALF		E3
A33.1172	*		1	DIE HALF		E3
[A33.1173]			1	SHIM		C3
A33.1174			1	COVER		A5
A33.1176			1	WASHER		B4
A33.1177			1	WASHER		B5
A33.1179			1	TRUNNION		B3
A33.1181			1	SEALING CAM		B5
[A33.1186]			1	HOUSING		C5
[A33.1187]		A33.1192	1	DIE AND CUTTER SUPPORT		D3
[A33.1192]			1	DIE AND CUTTER SUPPORT		D3
A33.2152	*		1	GRIPPER		E5
A33.2153			1	LIMIT BOLT		D3
A33.2157			1	STRAP STOP		D5
A33.2160	*		1	PUNCH		E3
A33.2175			1	BASE PLATE		E5
A33.3110			3	TENSIONING PAWL		B2
A33.3124			2	RING HALF		B2
A33.3129			1	ROCKER		B6
A33.3130			1	LOCKING RING		B3
A33.3131			1	DRIVER		B2
A33.3133	*		1	TENSIONING WHEEL		C5
A33.3135			1	STRAP GUIDE		C5
A33.3137	*		3	CATCH PAWL		B2
A33.3138			1	SPACER RING		C5
[A33.3144]			1	TENSION SHAFT		B2
A33.3151			1	TENSION HANDLE		A3
N1.1104			1	SCREW	M8 X 20	E4
N1.1110			1	SCREW	M5 X 8	D5
N1.1165		A33.1186	1	SCREW	M8 X 10	B3
N1.1168			2	SCREW	M5 X 16	C3
N1.1181			2	SCREW	M5 X 12	D5
N1.1182			1	SCREW	M10 X 1 X 80	B3
N1.1184			1	SCREW	M12 X 1,25 X 80	B5
N1.1202			1	SCREW	M5 X 10	B4
N1.1210			1	SCREW	M6 X 25	B2
N1.1304			2	SCREW	M3 X 8	E4
N1.1806			4	SCREW	M4 X 10	D4+
N1.1808			4	SCREW	M4 X 10	D6
N1.3106			1	SOCKET SET SCREW	M5 X 6	E3
N1.3116			1	SOCKET SET SCREW	M5 X 25	B6
N1.3120			1	SOCKET SET SCREW	M12 X 12	C3

[ ] = Group

\* = Wearing parts



13.2390.01	A333/16/0.38-0.58		A333.0007.01			29.11.99
Item-No.		in group	Pcs.	Description	Dimension	Field
N1.3203			1	SOCKET SET SCREW	M4 X 8	C3
N1.5131			1	HEXAGON NUT	M5	B6
N1.5907			1	HEXACON NUT	M6	B3
N1.6103			2	WASHER	5.3 X 9.5 X 1	C3
N1.6135			1	WASHER	15.2 X 24 X 1	C6
N2.1108			1	SECURITY RING	E20	B1
N2.1117			1	SECURITY RING	E14	C6
N2.2136		A33.1192	2	PARALLEL PIN	4 H6 X 10	E5
N2.2143		A33.1192	1	PARALLEL PIN	5 H6 X 16	D3
N2.2147			1	PARALLEL PIN	3 M6 X 10	E4
N2.2148		A33.1192	1	PARALLEL PIN	14 H6 X 48	D3
N2.2148			1	PARALLEL PIN	14 H6 X 48	B3
N2.2149			2	PARALLEL PIN	4 H6 X 22	E4
N2.2150			1	PARALLEL PIN	10 H6 X 65	B6
N2.2165			1	PARALLEL PIN	4M6 X 34	C5
N2.2230			1	PARALLEL PIN	5 H8 X 60	C3
N2.2401			1	DOWEL PIN	3 X 10	E5
N2.2441			2	DOWEL PIN	6 X 20 MM	B5
N2.2603			1	GROOVED PIN	6 X 16	A3
N2.3205			1	WOODRUFF KEY	5 X 7,5 X 18,57	B2
N2.4902			2	HAMMER HEAD BOLT	1,85 X 4,76	B4
N2.4906			1	HAMMER HEAD BOLT	5,31 X 12,7	B5
N2.5154			6	PRESSURE SPRING	0.45 X 3.9 X 7	B2
N2.5170			1	PRESSURE SPRING	2 X 9.8 X 96	B5
N2.5171			1	PRESSURE SPRING	1 X 8 X 26	C5
N2.5606			1	CUP SPRING	40X20.4X1	B2
N2.5807			1	TORSION SPRING		C3
N3.2315			1	NEEDLE BEARING		B3
N3.2316			1	NEEDLE BUSH		C6
N3.3131		A33.1192	2	SLIDE-BEARING		D4+
N3.3131			2	SLIDE-BEARING		C5+
N41.9128			1	ADHESIVE LABEL		A5
N41.9131			1	LABEL	A333	B4
N4.1116			2	GRIP BALL		A3+

[ ] = Group

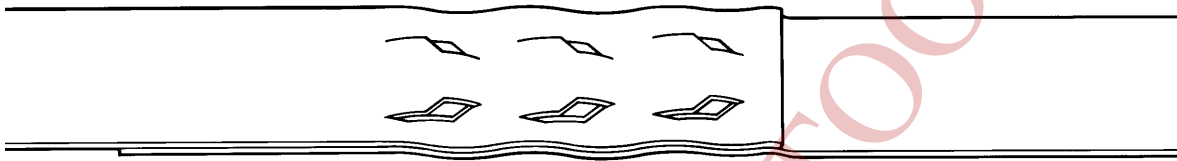
\* = Wearing parts

## 8 SEAL CONTROL

A regular control of the seal is necessary. The seal can be checked visually and the person controlling can easily judge the quality of the seal. When checking the seal the following illustrations must be compared.

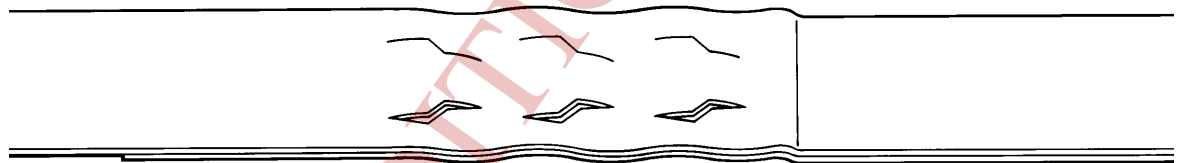
### Correct seal

A correct seal must conform to the illustration. This means that the depth with which the upper strap hooks into the lower one must be 1-1,5 mm in min. and 2 mm in max.. The upper strap must be sheared clean and the cutter must not leave scratch marks on the lower strap.



### Incorrect seal (the sealing mechanism is adjusted too high)

This stamped seal is not deep enough and the upper strap is not sheared. The tensile strength of this seal is insufficient and the strapping must be taken away from the package. The tool must be readjusted immediately (see SEAL ADJUSTMENT).



### Incorrect seal (the sealing mechanism is adjusted too low)

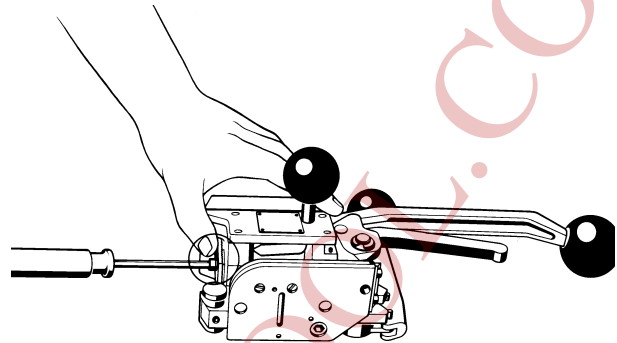
This stamped seal is too deep and the lower strap is scratched by the cutter. Although the tensile strength of this seal is sufficient the strapping must be taken away from the package because of the scratched lower strap. The tool must be readjusted immediately (see SEAL ADJUSTMENT).



## 9 SEAL ADJUSTMENT

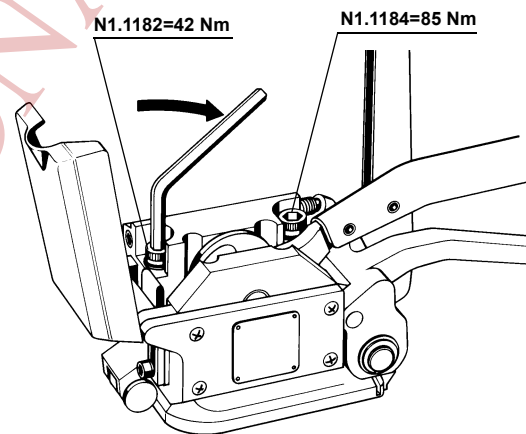
The sealing and cutting depth of the sealing mechanism and the cutter can be adjusted with the use of the hexagon key N4.1408 which is supplied with the tool as follows:

- Place tool as shown above.
- Loosen both screws N1.1168 and open them by approx. 3 revolutions.
- If sealing depth is not sufficient reset stop in the direction of the base plate.
- If sealing depth is excessive reset stop in the direction of the body cover.
- Retighten screws N1.1168.



## Assembly Instructions

After every disassembly it is essential to retighten screws N1.1182 and N1.1184 with the recommended torque when reassembling. The use of a torque key is necessary.



## 10 CLEANING

In case of heavy dirt and when painted straps are used the punch, dies, gripper and feed-wheel must be cleaned regularly.

Normally it is sufficient to blow out the parts with the help of an air gun.

## 11 ACCESSORIES

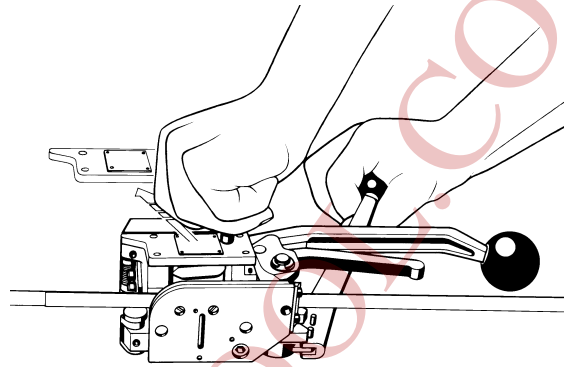
### Using tool with horizontal handle

Upon request the tool can be supplied with a bolt A33.4101 and a grip ball N4.1116. When using tool for horizontal applications, the operator holds the tool on the grip ball during tensioning.

Install the handle as follows:

Remove side cover A33.1160 and break the marked position.

Reassemble side cover and screw bolt with mounted ball into the body.



### Suspension

It is possible to suspend the tool for strapping in vertical position.

Order the suitable suspension separately under item no. A33.0113.

